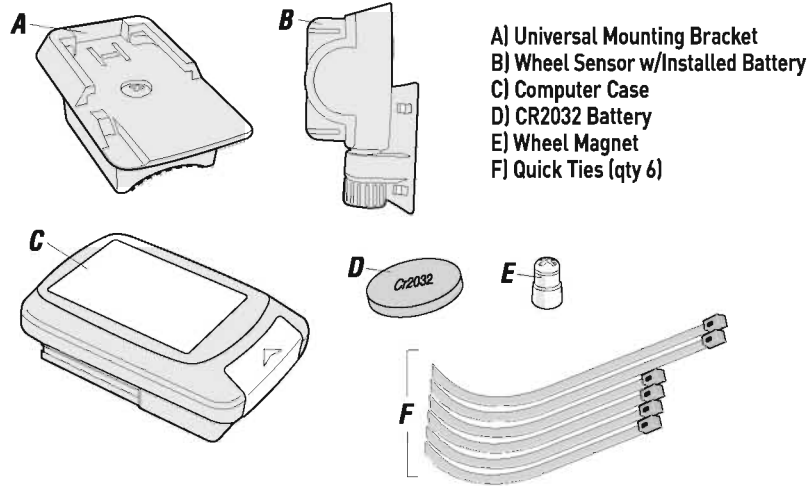


PROTEGÉ 9.0 WIRELESS INSTRUCTION MANUAL



Thank you for purchasing this Planet Bike computer. It's great for training, touring and keeping track of your car-free miles so please take a moment to review this manual so that you can take advantage of all the great features this computer has to offer. Whether you're darting across town or on tour, we hope it accompanies you on many great adventures. Enjoy your new Protégé bicycling computer and have a great ride!

HARDWARE PACK



- A) Universal Mounting Bracket
- B) Wheel Sensor w/Installed Battery
- C) Computer Case
- D) CR2032 Battery
- E) Wheel Magnet
- F) Quick Ties (qty 6)

COMPUTER SETUP + PROGRAMMING

STEP 1: BATTERY INSTALLATION To install the battery, remove cover by inserting a coin in slot and twisting ¼ turn clockwise (diagram 1). Install the battery (model CR2032 3V Lithium) with the "+" side facing up. Replace the battery cover, making sure that the rubber gasket is in place and the battery cover is flush. Once again, insert coin in slot and twist clockwise ¼ turn to secure battery cover. The battery should last for 6 months/1500 miles with normal use. The battery installed in sensor should last approximately one year/3000 miles.

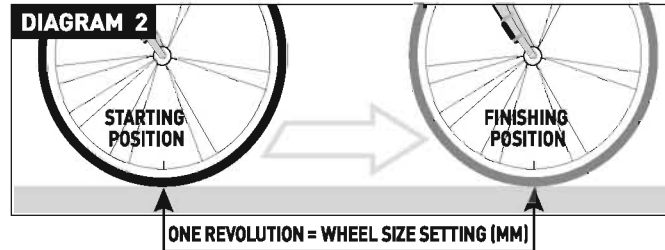
STEP 2: ENTERING PROGRAMMING MODE

A) New battery just installed: "M/H" or "KM/H" will already be flashing. Skip to step 3. B) Programming computer without replacing battery: Click the mode button (diagram 1) until "ODO" is displayed on line 4. Using the tip of a pen or small phillips screwdriver, depress the set button. Upon release, "M/H" or "KM/H" will flash in the upper right of the screen. Note: M/H equals F° and 12 hour display; KM/H equals C° and 12 hour display.

STEP 3: TO SELECT MILES/HOUR (M/H) OR KILOMETERS/HOUR (KM/H) press the mode button. Press the set button to lock in your selection and the screen will display "2154" (or your current tire setting) with the last digit flashing

STEP 4: DETERMINING THE WHEEL SIZE SETTING (WSS) can be done in two ways. Please note that for WSS less than 1000mm, you must input your WSS in WSS 2 "2". WSS 1 "1" does not allow a size less than 1000mm. For directions on WSS see method 1 & 2 below. See also Additional Features section on page 2.

METHOD 1: Read the tire size on the side wall of your tire and input the number that corresponds to your tire size on the tire size chart to the right. Since there are many tire manufacturers and designs, tires listed as the same size from different manufacturers can actually vary significantly in their actual circumference. Therefore, we recommend using method 2 for maximum accuracy in your computer readings.



METHOD 2: WHEEL ROLL OUT For best results, find a flat smooth surface to perform the wheel roll out and inflate your tires to riding pressure.

A) Place a piece of masking tape or draw a line on the surface to determine a starting position.

B) Position the front tire valve at the 6:00 position (diagram 2) directly above the starting position.

C) Roll the bicycle forward one revolution of the wheel in a straight line until the valve stem is again at the 6:00 position. [Note: Putting pressure on the handle bars to simulate body weight on the tire will give more accurate results.] Mark the finishing position with masking tape or a line. Measure the distance between the starting and finishing positions in mm. This is your WSS. Repeat the procedure if necessary and average the results. [Note: If you use an inch measuring tape, multiply inches by 25.4 to achieve your WSS in mm.]

STEP 5: INPUTING WHEEL SIZE SETTING (WSS)

A) Press "mode" button to change flashing first digit to desired selection.

B) Press "set" button to lock in your selection and advance to the next flashing digit.

C) Repeat steps A-B until all four digits are set. After the fourth digit is set it will advance to the screen Odometer setting.

STEP 6: ODOMETER SETTING ①: The digit on the far right will be flashing. [If you don't need to set the Odometer, repeatedly press "set" to advance to WSS ②.] Repeat steps 5A and 5B again to set the Odometer.

STEP 7: WHEEL SIZE SETTING (WSS) ②: The screen will now display ② default WSS "0000" with the first "0" flashing. Repeat step 5 used to set WSS ①. Note: 2nd wheel size is not active if size is not entered.

STEP 8: ODOMETER SETTING ②: Repeat step 6 to set Odometer ②.

STEP 9: CLOCK SETTING: The hour digit on the far left will be flashing. Repeat steps 5A and 5B again to set the time. To reset the clock only, press "mode" button until clock function is displayed on line four. Press "set" button to initiate clock reset. Follow steps 5A and 5B above to set the time. When you are done, the computer case will enter normal operating mode. Now is time to properly install the bracket and sensor.

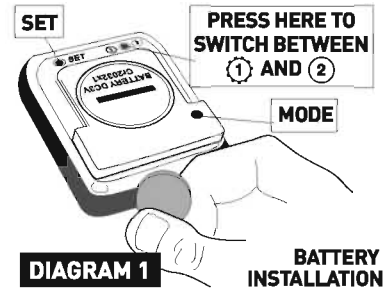


DIAGRAM 1 BATTERY INSTALLATION

TIRE SIZE	WSS	TIRE SIZE	WSS
20 x 1.75	1502	700 x 23c	2105
24 x 1.75	1894	700 x 25c	2105
26 x 1 (559mm; 650c)	1925	700 x 28c	2143
26 x 1.25	1950	700 x 32c	2160
26 x 1.5	1996	700 x 35c	2168
26 x 1.95	2055	700 x 38c	2184
26 x 2.1	2070	700 x 40c	2200
26 x 3.0	2170	700 x 45c	2242
26 x 4.0	2288		
27.5 x 1.95	2090		
27.5 x 2.1	2148		
29 x 2.1	2288		
29 x 2.3	2326		

FOR FUTURE REFERENCE, WRITE YOUR WSS HERE:

BRACKET AND SENSOR MOUNTING INSTRUCTIONS

STEP 10: Thread the quick ties through the slots in the wheel sensor and attach to the right or left fork arm [see diagrams 3, 4, and 5] making sure that the battery cover is facing the wheel (diagram 3.) Note: Maximum distance from computer to sensor is 21 inches.

STEP 11: Attach magnet to spoke using a screwdriver (diagram 4) so that the magnet lines up with the top or bottom glossy line on the wheel sensor. Do not over-tighten magnet screw.

STEP 12: Unthread sensor knob until sensor can swivel freely and rotate the sensor until it is within 5 mm of the magnet and lined up with the top or bottom line on the sensor (diagram 5). Tighten the knob to fix sensor position.

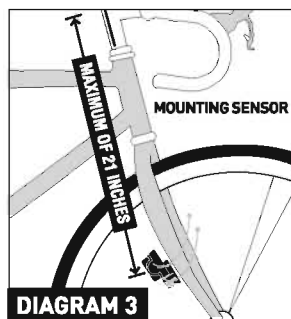


DIAGRAM 3

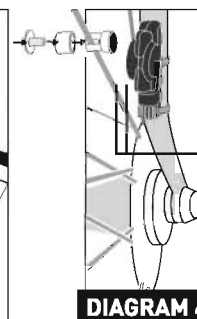


DIAGRAM 4

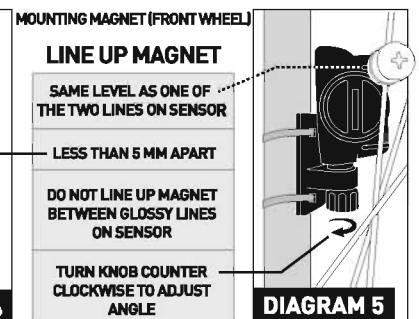


DIAGRAM 5

MOUNTING MAGNET (FRONT WHEEL)

LINE UP MAGNET

SAME LEVEL AS ONE OF THE TWO LINES ON SENSOR

LESS THAN 5 MM APART

DO NOT LINE UP MAGNET BETWEEN GLOSSY LINES ON SENSOR

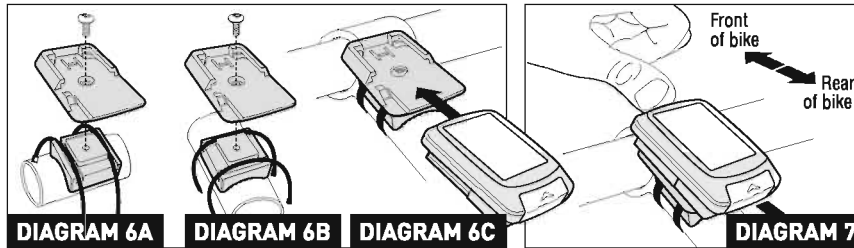
TURN KNOB COUNTER CLOCKWISE TO ADJUST ANGLE

BRACKET AND SENSOR MOUNTING INSTRUCTIONS

STEP 13: Mounting bracket can mount to either handlebar (diagram 6A) or stem (diagram 6B). Orient base of bracket to desired position and secure center screw. Use two zip ties to secure bracket. Pull zip ties tight and cut off extra. Slide the computer head into the bracket until it snaps into place (diagram 6C).

STEP 13: Test for proper alignment of the magnet and sensor. First, push the computer towards the front of the bike to activate. Now, spin the front wheel. Speed will begin to register if the magnet and sensor are properly aligned. If not, see troubleshooting section below.

MOUNTING BRACKET



TO REMOVE COMPUTER FROM BRACKET:

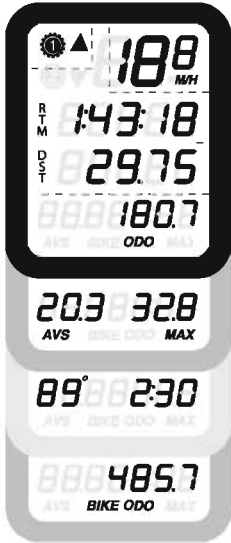
Push the computer towards rear of bike or saddle (diagram 7). The computer head will snap out. Note that you may need to push hard or carefully pry with small screwdriver.

FUNCTIONS + SPECIFICATIONS

See Section 5

SCREEN:

1
2
3
4

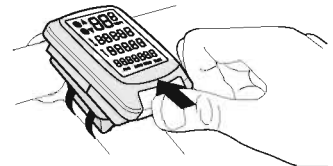


LINE: LCD Specification - Line 1, 2, and 3 modes do not change

- 1 CURRENT SPEED: Miles or Kilometers per hour - 0 to 99.9 mph/kph - Increments of 0.1 mph/kph
- 2 RIDE TIME (RTM): Up to 9:59:59 - Increments of 1 second
- 3 RIDE DISTANCE (DST): Up to 999.99 M or K - Increments of 0.01 M or K (ODO = Cumulative distance for BIKE 1 and BIKE 2)
- 4 ODOMETER (ODO): Up to 99,999.99 M or K - Increments of 0.01 M or K (ODO = Cumulative distance for BIKE 1 and BIKE 2)

CHANGE MODE TO SCREEN 2-4 BY PUSHING COMPUTER FORWARD IN BRACKET TO ACCESS:

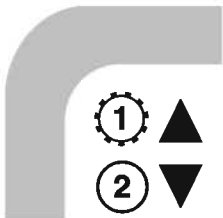
- OR AVERAGE SPEED (AVS): 0-99.9 mph/kph - Increments of 0.01 mph/kph
 MAXIMUM SPEED (MAX): 0-99.9 mph/kph - Increments of 0.01 mph/kph
- OR TEMPERATURE: -19° to 120°F/-19° to 50°C (two digit display, neg. symbol does not display)
 CLOCK: 12 hr format - Indicated by flashing colon ":"
- OR BIKE ODOMETER (BIKE ODO): Up to 99,999.99 M or K - Increments of 0.01 M or K
 This is the distance for the wheel size currently being used, it only appears when distance is registered on both BIKE 1 and BIKE 2.



PUSH AND RELEASE FOR
MODE CHANGE

CAUTION:
 HOLD FOR
 LESS THAN ONE SECOND
 OR YOU WILL RESET ALL
 THE RIDE DATA

ADDITIONAL FEATURES



SPEED COMPARATOR: Indicated by "▲" and "▼"
 "▲" indicates your current speed is faster than your current average speed.
 "▼" indicates your current speed is slower than your current average speed.

DUAL WHEEL SIZE SETTINGS: Indicated by "①" or "②". Allows user to program two separate wheel sizes so the computer can be used for two separate bikes with purchase of second handlebar bracket harness (part #8000-8).

"①" represents an ATB or Hybrid tire, or bike 1.
 "②" represents a Road or smooth tire, or bike 2.

← This allows you to know which wheel size corresponds with which bike you are riding

ADDED FEATURES:

- Auto LCD OFF - LCD automatically shuts off to conserve power after 5 minutes of non-use. Clock will still be displayed.
- MacroMonitor™ LCD display displays up to 5 functions at once, allowing for fewer mode changes.
- "Buttonless" design for ease of use - push computer forward in bracket to change modes.
- Weather proof construction for all-weather use.

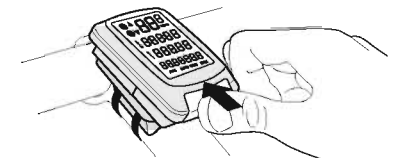
COMPUTER OPERATIONS

PRECAUTION: When using the Protégé Bicycle Computer, you should ride safely and pay primary attention to the road, traffic or trail conditions at all times.

MODE CHANGE: Push the computer forward in the bracket as far as it will go and release. The fourth line will change functions. It is recommended that the thumb be positioned in the center of the computer when activating mode changes. Note: do not hold the computer forward in the bracket for more than one second or ride data will be reset to "0".

RESET RIDE DATA: After your ride or before your next ride, you can reset "ride" data [Ride Time, Ride Distance] to "0" by pushing the computer forward in the bracket until ride data clears to "0". Release computer when ride clears to "0".

CHANGING WHEEL SIZES: Press ① ② button on backside of computer [Diagram 1] Note: To use this function both wheel sizes must be programmed in computer set up.



PUSH & HOLD FOR THREE (3) SECONDS TO
RESET ALL THE RIDE DATA

TROUBLESHOOTING

- 1) DISPLAY IS BLANK OR SHOWS PARTIAL DIGITS
 Remove and reinsert battery. If problem persists, a new battery may be required.
- 2) LCD DISPLAYS NUMBERS BUT DOES NOT RECORD DATA WHEN RIDING
 Check for proper wheel sensor/magnet alignment (see section 3). Check batteries in the computer AND sensor. Also, make sure the distance between the computer and sensor is 21 inches or less.
- 3) LCD SCREEN IS DARK
 This is normally caused by overheating when the computer is left sitting in the sun. Allow the computer to cool and it should return to normal.

- 4) THE MODE BUTTON WILL NOT WORK DURING SETUP
 This is usually caused by the set button being slightly stuck inside the computer case. Try bending a paper clip and use the end to wiggle the set button around until it pops and is flush with the computer case. This will unlock the mode button and make it possible to set up the computer.
 - 5) THE LCD SCREEN GOES BLANK AND COMPUTER RESETS
 Take out the battery and bend the two metal contacts towards to battery to help establish better contact. Re-insert the battery.
- If you experience any other problems, contact your Planet Bike dealer or Planet Bike.